

Installing TimberCrown Windows™ for New Construction

BEFORE YOU START... READ THROUGH THESE INSTRUCTIONS

IMPORTANT: This Window Unit has been engineered and manufactured to provide superior weather protection and service. Atria Building Products warrants this product only when **INSTALLED PER INSTRUCTIONS** printed below. Atria will accept no responsibility for air or water leakage above, under or around the unit. **DO NOT PAINT** any vinyl part of this unit for any reason! Exposed wood and/or composite components (Interior Only) can be finished as desired.

*The following tools and accessories are recommended for this installation....
Carpenter's Hammer, Level (2' or longer), 1-3/4" Corrosion Resistant Roofing Nails,
Shims, Latex Caulk Sealant, Tape and Flashing.*

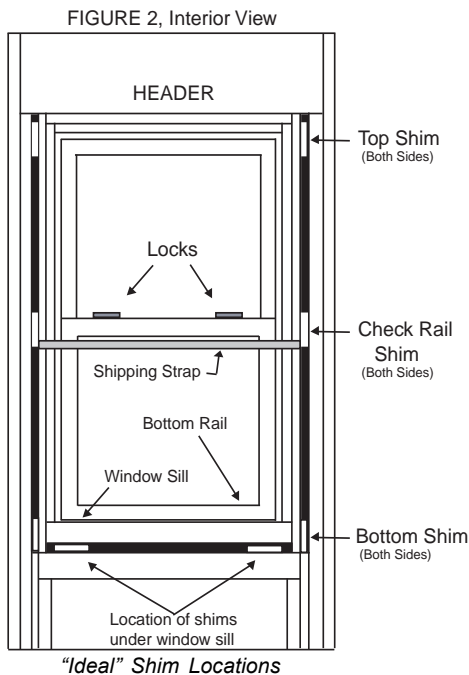
STEP 1; Make sure Rough Opening is Level, Plumb, and Square

(Figure 1). Carefully remove all packaging and parts from unit. Do not remove shipping strap at the center (this is to be done in Step 6). Lock sash. Check your rough opening size. Your building supplier will have a listing for this window's rough opening. The opening at the sill plate **must** be level and the sides **must** be square and plumb (Figure 1). Correct any differences before proceeding to the next step.

STEP 2; Recommended Sealing and Flashing, (Optional). Although Atria's warranty does not cover installation, we are recommending certain sealing and flashing methods for maximum effectiveness against weather infiltration. After installing house wrap, cut out window openings as per manufacturers instructions. Install sill flashing paper prior to installing window (We recommend using Tyvek® or equivalent flashing paper.) . Apply a 3/8" nominal continuous bead of sealant to the backside of the nailing flange over the nailing holes.

STEP 3; Installing Window Unit,(Required).

Set window unit upon level sill plate and into opening (this may require that the sill center be pulled up or down before nailing). Adjust left and right centering unit in the opening (approximately 1/4" space between the side jambs and the jack studs). Nailing fins must be flat against wall. "Tack nail" corners to keep window in opening and check level and plumbness again. Adjust if necessary. If the unit is square, the bottom rail (and weatherstrip) of the bottom sash will contact the sill evenly all the way across. Check rails will also align with each other when the unit is square.



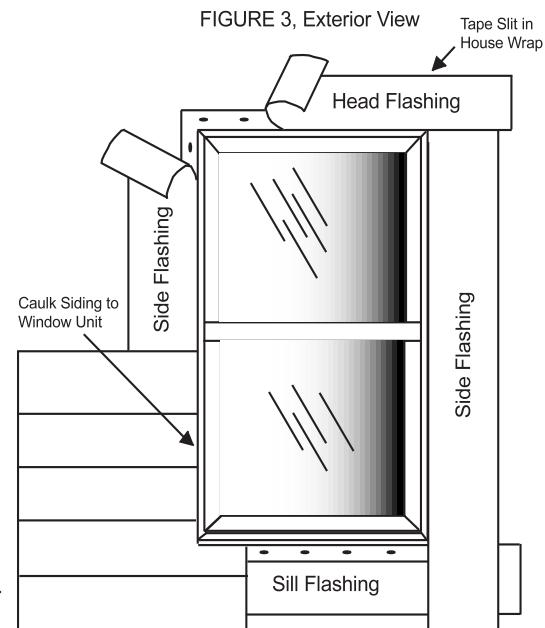
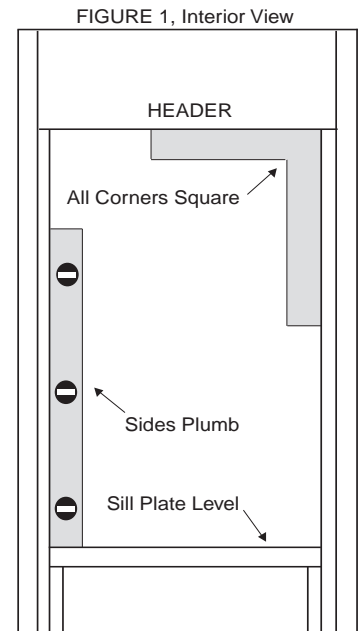
STEP 4; Shim and Nail

Shims must be cut to exact thickness and should not bind or fall out. Shim as necessary (from inside) to maintain unit position (Figure 2). Final shimming at center and under wide units is to be done in Step 6. A properly shimmed window will measure the same diagonally from corner to corner. Do not remove shims after the installation is complete! Outside, finish nailing through nailing fins with stainless steel or hot-dipped galvanized nails. Nails must be long enough to penetrate framing at least 1 inch. Use at least one nail every fourth hole. Be sure to nail the fin under the sill in the center. Nail tight but do not "sink" nails. This will cause the nail fin to warp.

STEP 5; Sealing recommendations, (Optional).

Install side, and then head flashing paper slipping up under slit in house wrap and over side flashing (Figure 3). Tape slit in house wrap to head flashing paper. After siding, brick or other masonry is in place, apply a continuous bead of sealant where siding butts against window, except at head when drip cap is used.

Note to masons. When brick or other masonry is used, be sure to leave 1/2" between bottom of window sill and brick/masonry course to avoid "Brick Binding".



Continued on page 8-2

STEP 6; Shim and Remove Shipping Material

(Required). Before insulating and trimming around the window interior, place shims on both sides at center (Figure 2). These shims are needed to keep jambs from bowing. Shim under sill at both ends (between window sill and frame sill plate).

For units 3-0 and wider place a shim at center under sill. Multi wide units need a shim under each mull. Shims must be cut to exact thickness and should not bind or fall out.

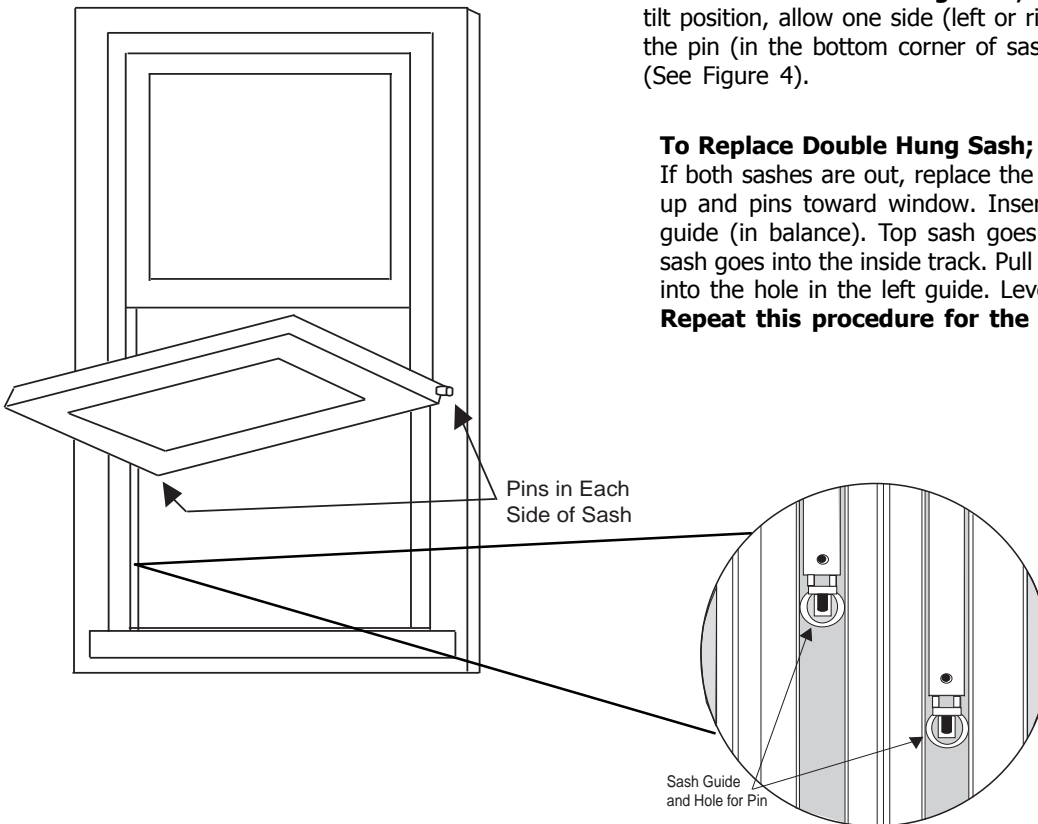
Be careful that shims do not bow the sides, head, or sill inward.

Remove Shipping Straps.

To Tilt Double Hung Sash; Unlock the window and slide the bottom sash up a few inches. Always tilt and remove the bottom sash **FIRST**.

Take hold of the top sash on each side and slide the tilt latches away from the jambs to release. Pull top of sash toward you and the sash will swing into the tilt position.

FIGURE 4, Interior View



To Remove Double Hung Sash; With the bottom sash in the tilt position, allow one side (left or right) of the sash to rise until the pin (in the bottom corner of sash) releases (See Figure 4).

To Replace Double Hung Sash;

If both sashes are out, replace the top sash first. Hold sash with exterior side up and pins toward window. Insert right side pin into the hole in the sash guide (in balance). Top sash goes in outside balance track and the bottom sash goes into the inside track. Pull guide down with sash until left sash pin fits into the hole in the left guide. Level sash and swing up into the track.

Repeat this procedure for the bottom sash.

Caution... (Balances are under tension and may release pressure at this time. This will be corrected when sash is replaced).

Repeat these procedures for tilting and removing top sash.

Cleaning: Glass cleaners such as Windex® work well for both glass and vinyl. **DO NOT USE heavy abrasives** on vinyl. For most stains, an all purpose cleaner such as Murphy's Oil Soap® will do a good job. Soft Scrub® works well on minor scrapes and scratches. Major repairs may require the use of vinyl patching kits.

These instructions must be followed for proper operation and performance. If you have questions call Atria at (740) 967-0060



Atria Building Products, Inc.
539 E. Coshocton St.
Johnstown, Ohio 43031-9591
www.atriawindows.com